

Safety Valve  
( Parachute )

# SAFETY VALVE ( PARACHUTE )

Safety device applied to critical hydraulic lines which, in the event of hose rupture, immediately and automatically closes the fluid flow once the maximum flow rate is exceeded.

Can be adjusted by the user according to the flow rate.

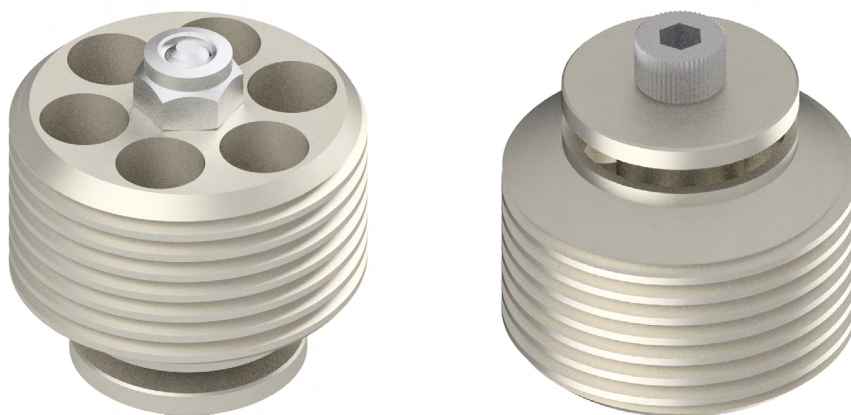
Supplied in cartridge models or complete assemblies ( Cartridge + Housing ).

Also available for applications requiring abrupt descent limitation, such as lifting equipment, among others.

In addition to preventing falls caused by hose rupture and connections, it avoids permanent damage to the oil.

Upon request, valves with calibrated orifice for controlled load lowering can be supplied.

All valves are manufactured and commercialized in accordance with GEPEF standards and requirements. Therefore, if you cannot find the required safety valve option in this catalog, please contact us.



## Working Pressure

Up to 350 bar / 5075 PSI

## Surface Treatment

White Zinc Trivalent Coating Cr VI

## Working Temperature Seals

NBR / Buna-N (-25°C to 100°C) (-13°F to +212°F) / Viton

## Materials

Carbon Steel

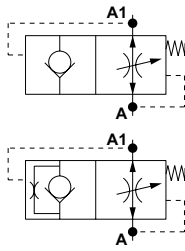
AISI 316 Stainless Steel

## Filtration

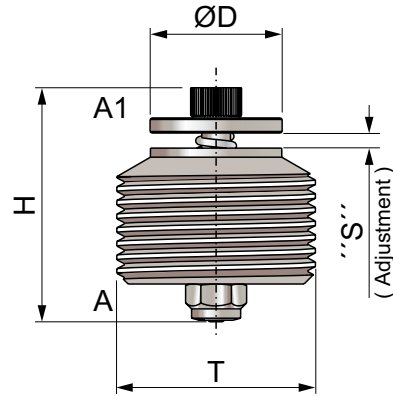
According to ISO 4406

## Viscosity

min. 2.8 mm<sup>2</sup>/s and max. 800 mm<sup>2</sup>/s

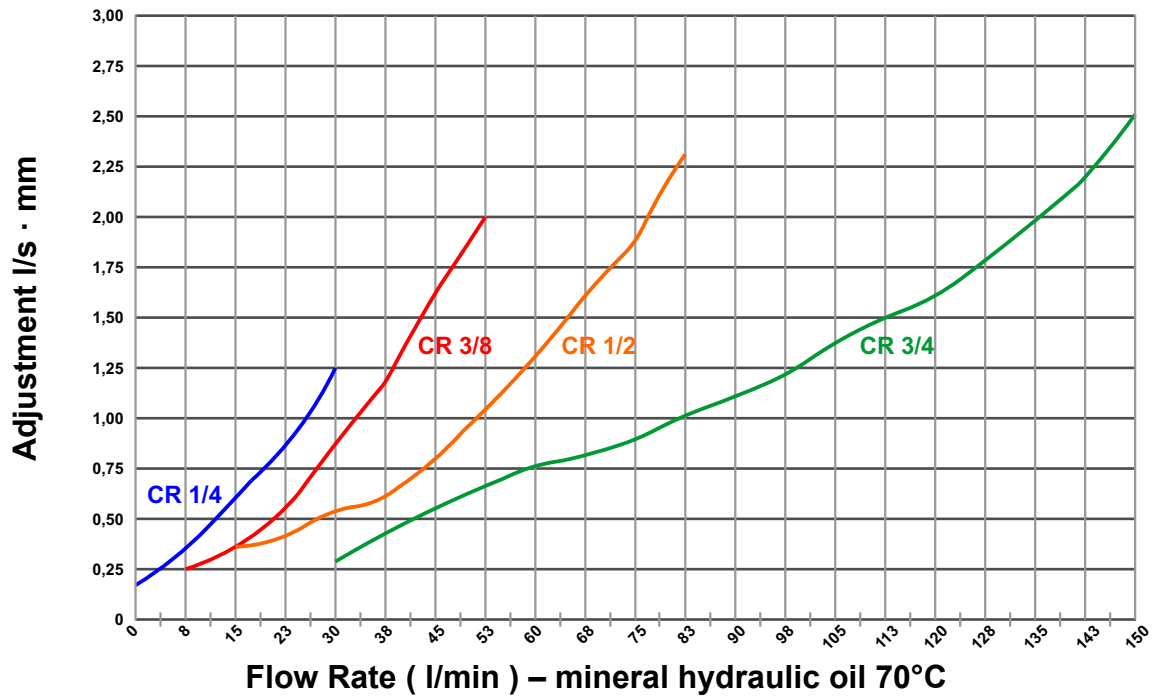


With calibrated orifice



Type	ØD	T	H	"S" Adjustment Range L/M
CR - 1/4	10	G1/4 BSP	17,5	7-30 aprox.
CR - 3/8	12,5	G3/8 BSP	21	10-45 aprox.
CR - 1/2	16	G1/2 BSP	26,3	15-80 aprox.
CR - 3/4	17,5	G3/4 BSP	31,8	28-150 aprox.

HLP Mineral Hydraulic Oil – Viscosity (-24 cSt) at 70°C



**Attention:** The adjustment values indicated in the graph are approximate and may vary according to the adjustment range "S". The reaction tube may vary by 10% depending on the characteristics of the equipment where it is installed.

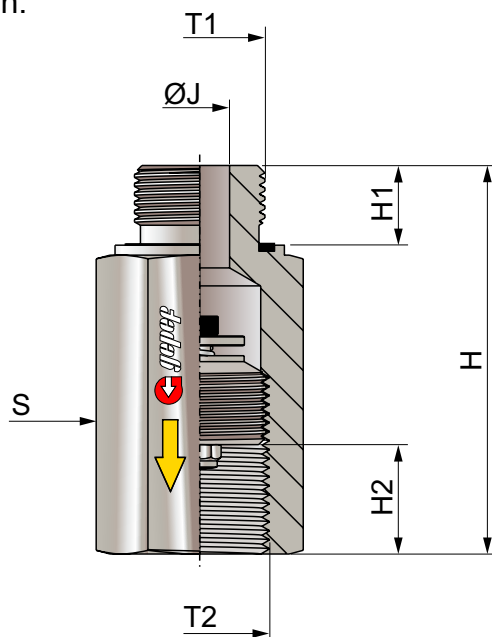
**Example of codification:**

CR - 1/4 (Cartridge Safety Valve, adjustment range G1/4 BSP).

Material in AISI 316 stainless steel, add the letter I at the end of the code.

If you require another type of safety valve not listed in this catalog, please contact our technical department.

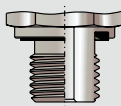
**Note:** The arrow indicates the flow blocking direction.



Type	T	H	H1	H2	J	S
VBEV - M1/4	G1/4 BSP	50	10	15	5	19
VBEV - M3/8	G3/8 BSP	55	12	17	8	22
VBEV - M1/2	G1/2 BSP	70	14	18	10,2	27
VBEV - M3/4	G3/4 BSP	78	16	20	12,5	32

**WD Form**

ISO 1179-2 – BSP Thread  
 ISO 9974-2 – Metric Thread



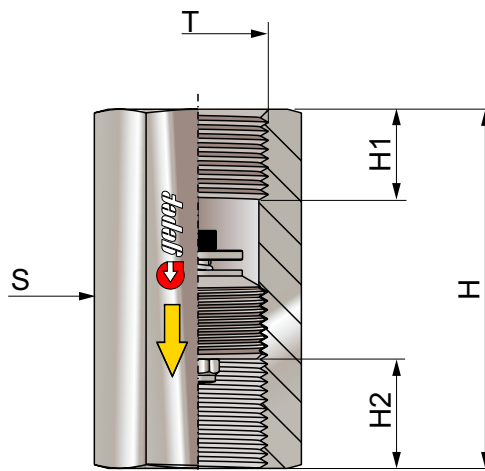
**Example of Codification:**

**VBEV - M3/4** (Male Thread Safety Valve, metric thread G3/4 BSP).

For AISI 316 stainless steel material, add the letter I at the end of the code.

If another type of safety valve not listed in this catalog is required, please contact our technical department.

**Note:** The arrow indicates the flow blocking direction.



Type	T	H	H1	H2	S
VBEV - F1/4	G1/4 BSP	48	13	15	19
VBEV - F3/8	G3/8 BSP	52	15	17	22
VBEV - F1/2	G1/2 BSP	60	16	18	27
VBEV - F3/4	G3/4 BSP	72	18	20	36

**Example of Codification:**


**VBEV - F1/4** (Female Thread Safety Valve, metric thread G1/4 BSP).

For AISI 316 stainless steel material, add the letter I at the end of the code.

If another type of safety valve not listed in this catalog is required, please contact our technical department.




## Manufacturing Facility


 + 55 15 3264-1222

 [gepef@gepef.com.br](mailto:gepef@gepef.com.br)


 [www.gepef.com.br](http://www.gepef.com.br)


 Avenida do Trabalhador, 1.680  
ZIP Code 18552-100 - Boituva - SP  
Brazil

## Head Office & Operations Center


 Av. Antônio Ângelo Amadio 681  
ZIP Code 18552-112 - Boituva - SP  
Brazil

Branch Office – Belo Horizonte, MG – Brazil - Regional sales operations  
for Minas Gerais and Brazil's Central-West Region

 + 55 31 3327-4459

 [gepef-bh@gepef.com.br](mailto:gepef-bh@gepef.com.br)

 [www.gepef.com.br](http://www.gepef.com.br)

 Avenida Professor Mário Werneck, 300  
(10th Floor – Room 1004 – Tower 2) – Estoril District  
ZIP Code 30455-610 - Belo Horizonte - MG  
Brazil