

Manifold Block
Components

Control Piston

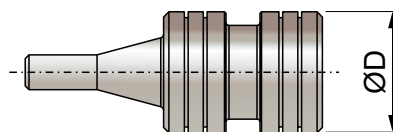
EGPFS

D

1/2"

9/16"

5/8"



Materials

SAE 8620

Treatment

Customized according to customer requirements

Finish

Ground

Dimensions / tolerances

Customized according to customer requirements

Double Control Piston

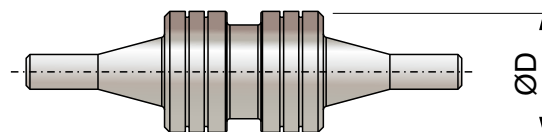
EGPFD

D

1/2"

9/16"

5/8"



Materials

SAE 8620

Treatment

Customized according to customer requirements

Finish

Ground

Dimensions / tolerances

Customized according to customer requirements

Plain Orifice Disc

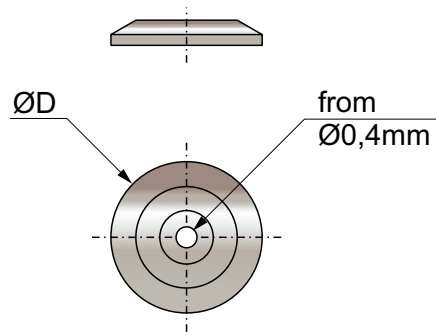
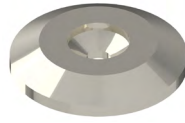
DOS

D

1/2"

9/16"

5/8"



Materials

Carbon Steel

Dimensions / tolerances

Customized according to customer requirements

Hexagonal Unidirectional Orifice Disc

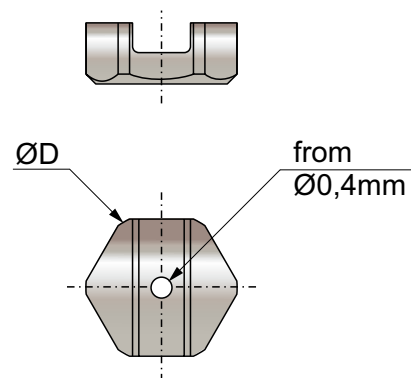
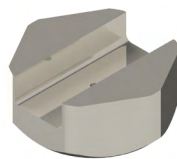
DOUS

D

1/2"

9/16"

5/8"



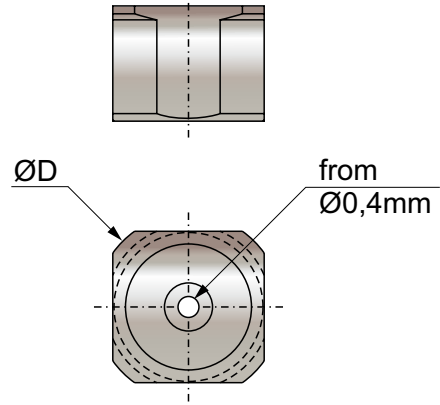
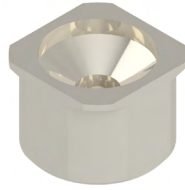
Materials

Carbon Steel

Dimensions / tolerances

Customized according to customer requirements

D
1/2"
9/16"
5/8"



Materials


Carbon Steel

Dimensions / tolerances

Customized according to customer requirements




Manufacturing Facility


 + 55 15 3264-1222

 gepef@gepef.com.br


 www.gepef.com.br


 Avenida do Trabalhador, 1.680
ZIP Code 18552-100 - Boituva - SP
Brazil

Head Office & Operations Center


 Av. Antônio Ângelo Amadio 681
ZIP Code 18552-112 - Boituva - SP
Brazil

Branch Office – Belo Horizonte, MG – Brazil - Regional sales operations
for Minas Gerais and Brazil's Central-West Region

 + 55 31 3327-4459

 gepef-bh@gepef.com.br

 www.gepef.com.br

 Avenida Professor Mário Werneck, 300
(10th Floor – Room 1004 – Tower 2) – Estoril District
ZIP Code 30455-610 - Belo Horizonte - MG
Brazil