

Plugs

# Internal Hex Threaded Plugs

Internal hex threaded plugs are manufactured in accordance with DIN 908, SAE J1926, SAE J476, ISO 11926, ISO 6149, ISO 9974, ISO 1179, as well as BSP, NPT, UNF, and Metric thread standards. They are available in carbon steel and stainless steel, providing reliable sealing performance in hydraulic and industrial applications.

Surface treatment options include white trivalent zinc plating (Cr VI-free) and zinc-nickel coating, ensuring enhanced corrosion resistance and compliance with environmental regulations.

For additional specifications or custom requirements, please contact us.



## Materials

Carbon Steel

Stainless Steel AISI 316

## Surface Treatment

White trivalent zinc plating (Cr VI-free)

Zinc-nickel plating

## Seals & Operating Temperature

NBR / Buna-N (-25°C up to 100°C) (-13°F up to +212°F) - (Standard)

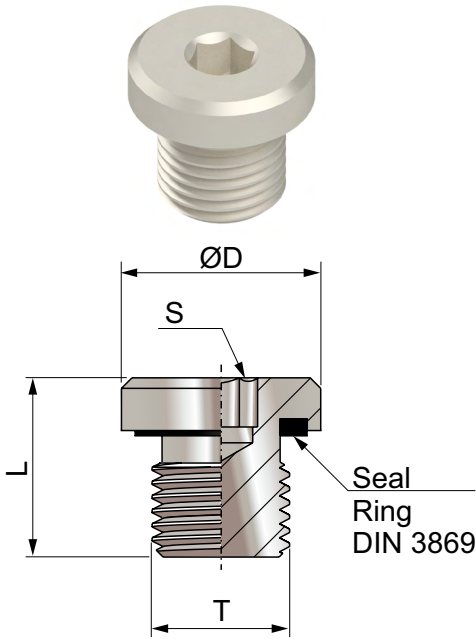
(FKM) Viton (-15°C up to 200°C) (-5°F up to +392°F) - **V**

EPDM (-40°C up to 150°C) (-40°F up to +302°F) - **E**

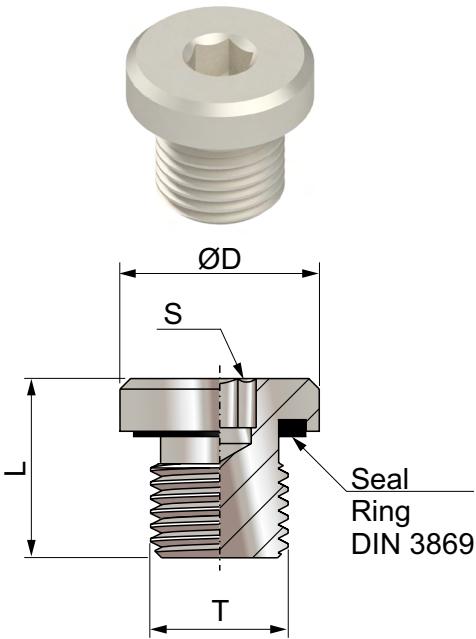
## Fluid Compatibility

Hydraulic oils and other mineral-based fluids

Refer to the seal chemical compatibility chart



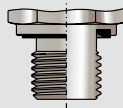
ISO 1179					
Thread Type: T	D	S	L	Working Pressure	Weight (g)
BJSI G1/8	14	5	12	400 bar / 5801 PSI	8
BJSI G1/4	19	6	17	400 bar / 5801 PSI	20
BJSI G3/8	22	8	17	400 bar / 5801 PSI	25
BJSI G1/2	27	10	19	400 bar / 5801 PSI	51
BJSI G3/4	32	12	21	400 bar / 5801 PSI	79
BJSI G1	40	17	21	400 bar / 5801 PSI	130
BJSI G1 1/4	50	22	23	315 bar / 4568 PSI	198
BJSI G1 1/2	55	24	23	315 bar / 4568 PSI	263



ISO 9974					
Thread Type: T	D	S	L	Working Pressure	Weight (g)
BJSI M10x1-WD	14	5	12	400 bar / 5801 PSI	8
BJSI M12x1,5-WD	17	6	17	400 bar / 5801 PSI	14
BJSI M14x1,5-WD	19	6	17	400 bar / 5801 PSI	20
BJSI M16x1,5-WD	22	8	17	400 bar / 5801 PSI	25
BJSI M18x1,5-WD	24	8	17	400 bar / 5801 PSI	32
BJSI M20x1,5-WD	26	10	19	400 bar / 5801 PSI	42
BJSI M22x1,5-WD	27	10	19	400 bar / 5801 PSI	51
BJSI M26x1,5-WD	32	12	21	400 bar / 5801 PSI	78
BJSI M27x2-WD	32	12	21	400 bar / 5801 PSI	79
BJSI M33x2-WD	40	17	23	400 bar / 5801 PSI	130
BJSI M42x2-WD	50	22	23	315 bar / 4568 PSI	198
BJSI M48x2-WD	55	24	23	315 bar / 4568 PSI	263

**Type WD**

ISO 1179-2 - BSP Thread  
 ISO 9974-2 - Metric Thread



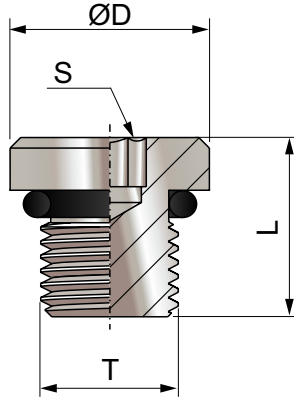
**Coding Example:**

**BJSI 3/8 BSP** (Internal Hex Threaded Plug, 3/8 BSP, WD sealing type).

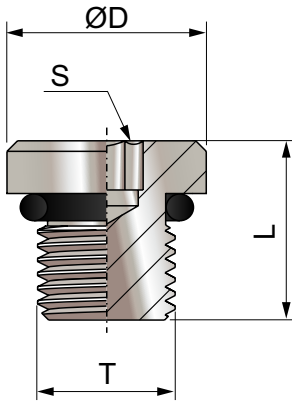
For AISI 316 stainless steel, add the letter I at the end of the code.

For Viton (FKM) or EPDM seals, add the letter V or E at the end of the code.

If you require a different plug configuration not listed in this catalog, please contact our Technical Department.



ISO 11926					
Thread Type: T	D	S	L	Working Pressure	Weight (g)
BJSI 3/8-24 UNF	13	1/8	10	420 bar / 6090 PSI	5
BJSI 7/16-20 UNF	14	3/16	12	420 bar / 6090 PSI	7
BJSI 1/2-20 UNF	16	3/16	12	420 bar / 6090 PSI	10
BJSI 9/16-18 UNF	18	1/4	13	420 bar / 6090 PSI	12
BJSI 3/4-16 UNF	22	5/16	15	420 bar / 6090 PSI	26
BJSI 7/8-14 UNF	25	3/8	16	420 bar / 6090 PSI	39
BJSI 1 1/16-12 UNF	32	9/16	19	420 bar / 6090 PSI	64
BJSI 1 3/16-12 UNF	35	9/16	19	380 bar / 5510 PSI	85
BJSI 1 5/16-12 UNF	38	5/8	19	380 bar / 5510 PSI	103
BJSI 1 5/8-12 UNF	48	3/4	19	280 bar / 4060 PSI	165
BJSI 1 7/8-12 UNF	54	3/4	20	210 bar / 3045 PSI	238

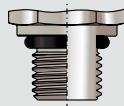


ISO 6149					
Thread Type: T	D	S	L	Working Pressure	Weight (g)
BJSI M8x1-O	12	4	13	630 bar / 9137 PSI	6
BJSI M10x1-O	13	5	13,5	630 bar / 9137 PSI	8
BJSI M12x1,5-O	17	6	15	630 bar / 9137 PSI	14
BJSI M14x1,5-O	19	6	16	630 bar / 9137 PSI	20
BJSI M16x1,5-O	21	8	17,5	630 bar / 9137 PSI	26
BJSI M18x1,5-O	23	8	19	630 bar / 9137 PSI	37
BJSI M22x1,5-O	27	10	20	630 bar / 9137 PSI	58
BJSI M26x1,5-O	31	12	21	400 bar / 5801 PSI	77
BJSI M27x2-O	32	12	23,5	400 bar / 5801 PSI	95
BJSI M33x2-O	38	14	25	400 bar / 5801 PSI	148
BJSI M42x2-O	48	22	25,5	400 bar / 5801 PSI	233
BJSI M48x2-O	55	24	28	400 bar / 5801 PSI	336

**Type O**

ISO 6149-2 / -3 Metric Thread

ISO 11926-2 / -3 UNF Thread



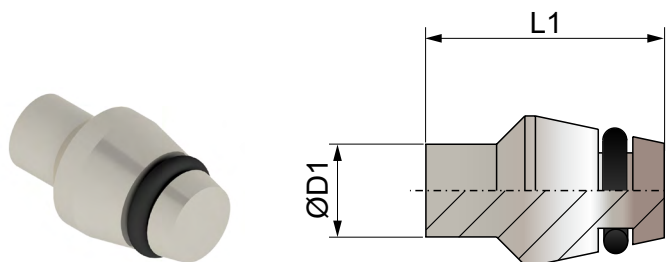
**Coding Example:**

**BJSI 3/8 UNF** (Internal Hex Threaded Plug, 3/8 UNF, O-ring sealing type).

For AISI 316 stainless steel, add the letter I at the end of the code.

For Viton (FKM) or EPDM seals, add the letter V or E at the end of the code.

If you require a different plug configuration not listed in this catalog, please contact our Technical Department.



BUTZ					
Code	Series	D1	L1	Working Pressure	Weight (g)
BUTZ-06	L	06	18,5	500 bar / 7250 PSI	6
BUTZ-08	L	08	18,5	500 bar / 7250 PSI	9
BUTZ-10	L	10	20,0	500 bar / 7250 PSI	15
BUTZ-12	L	12	20,5	400 bar / 5800 PSI	21
BUTZ-15	L	15	20,5	400 bar / 5800 PSI	32
BUTZ-18	L	18	22,5	400 bar / 5800 PSI	49
BUTZ-22	L	22	25,0	250 bar / 3625 PSI	80
BUTZ-28	L	28	25,5	250 bar / 3625 PSI	131
BUTZ-35	L	35	30,0	250 bar / 3625 PSI	240
BUTZ-42	L	42	30,0	250 bar / 3625 PSI	343
BUTZ-06	S	06	18,5	800 bar / 11600 PSI	6
BUTZ-08	S	08	18,5	800 bar / 11600 PSI	9
BUTZ-10	S	10	20,0	800 bar / 11600 PSI	15
BUTZ-12	S	12	20,5	630 bar / 9135 PSI	21
BUTZ-14	S	14	22,5	630 bar / 9135 PSI	30
BUTZ-16	S	16	23,5	630 bar / 9135 PSI	40
BUTZ-20	S	20	28,5	420 bar / 6090 PSI	78
BUTZ-25	S	25	29,0	420 bar / 6090 PSI	120
BUTZ-30	S	30	30,5	420 bar / 6090 PSI	180
BUTZ-38	S	38	33,0	420 bar / 6090 PSI	309

**Coding Example:**

**BUTZ 06** (DKO sealing plug size 6, DIN 2353, L Series).

For AISI 316 stainless steel, add the letter I at the end of the code.

For Viton (FKM) or EPDM seals, add the letter V or E at the end of the code.

If you require a different plug configuration not listed in this catalog, please contact our Technical Department.



### Manufacturing Facility

+ 55 15 3264-1222

gepef@gepef.com.br

www.gepef.com.br

Avenida do Trabalhador, 1.680  
ZIP Code 18552-100 - Boituva - SP  
Brazil

### Head Office & Operations Center

Av. Antônio Ângelo Amadio 681  
ZIP Code 18552-112 - Boituva - SP  
Brazil

Branch Office – Belo Horizonte, MG – Brazil - Regional sales operations  
for Minas Gerais and Brazil's Central-West Region

+ 55 31 3327-4459

gepef-bh@gepef.com.br

www.gepef.com.br

Avenida Professor Mário Werneck, 300  
(10th Floor – Room 1004 – Tower 2) – Estoril District  
ZIP Code 30455-610 - Belo Horizonte - MG  
Brazil